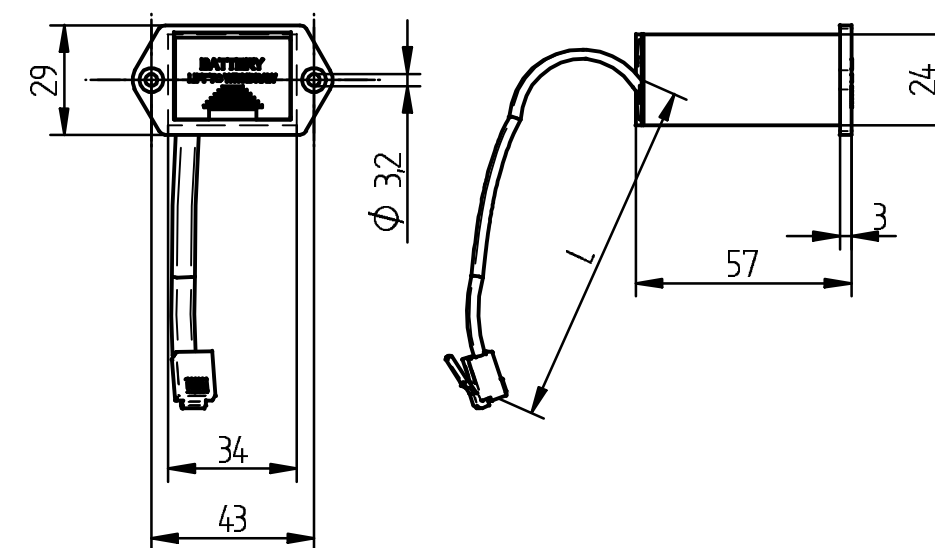
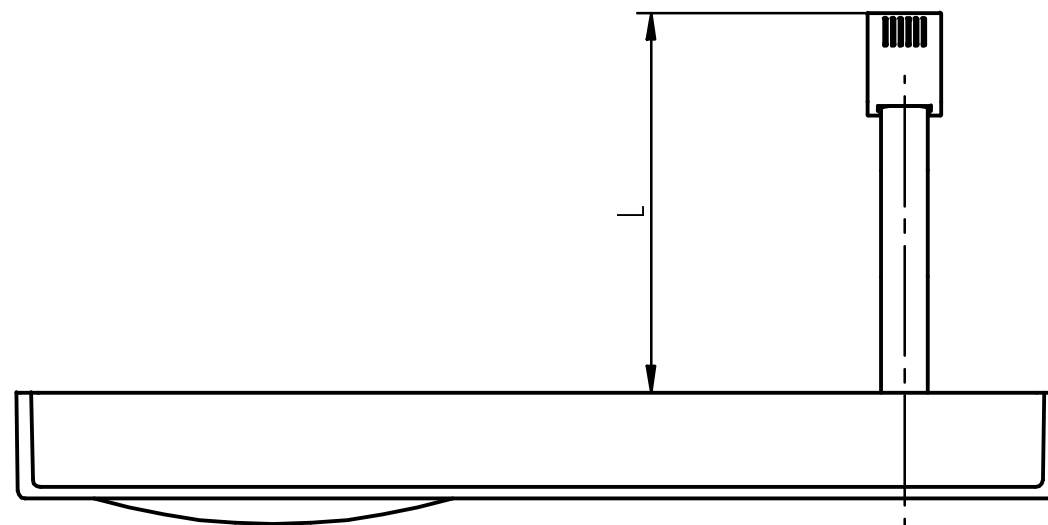
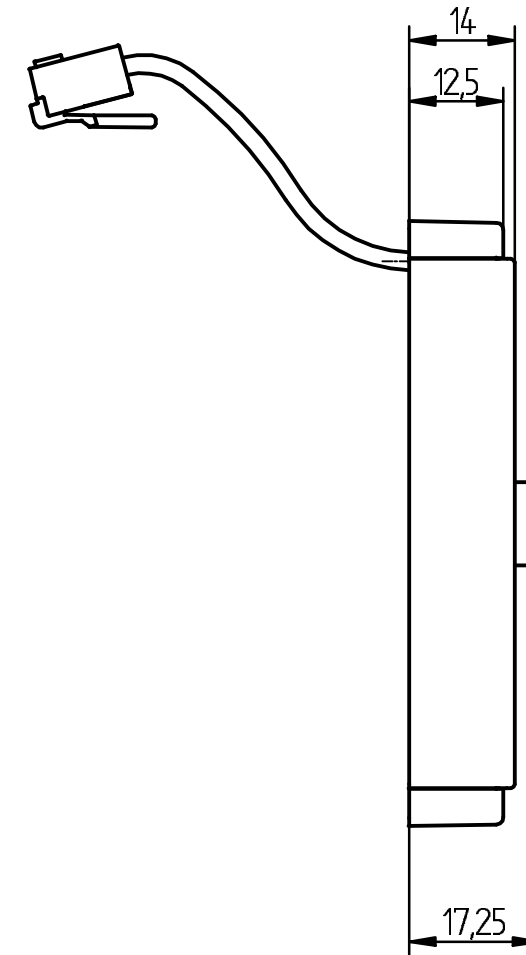
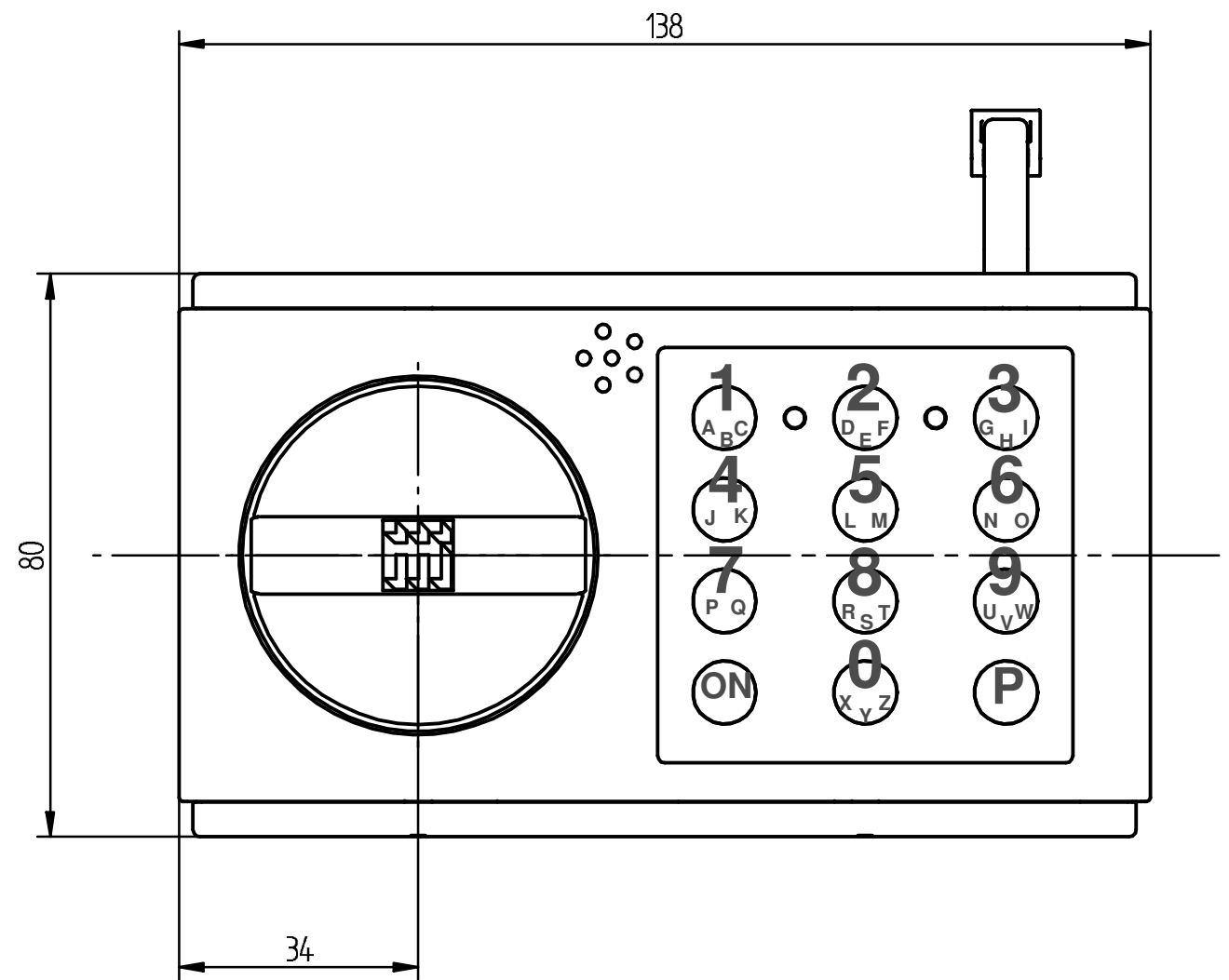
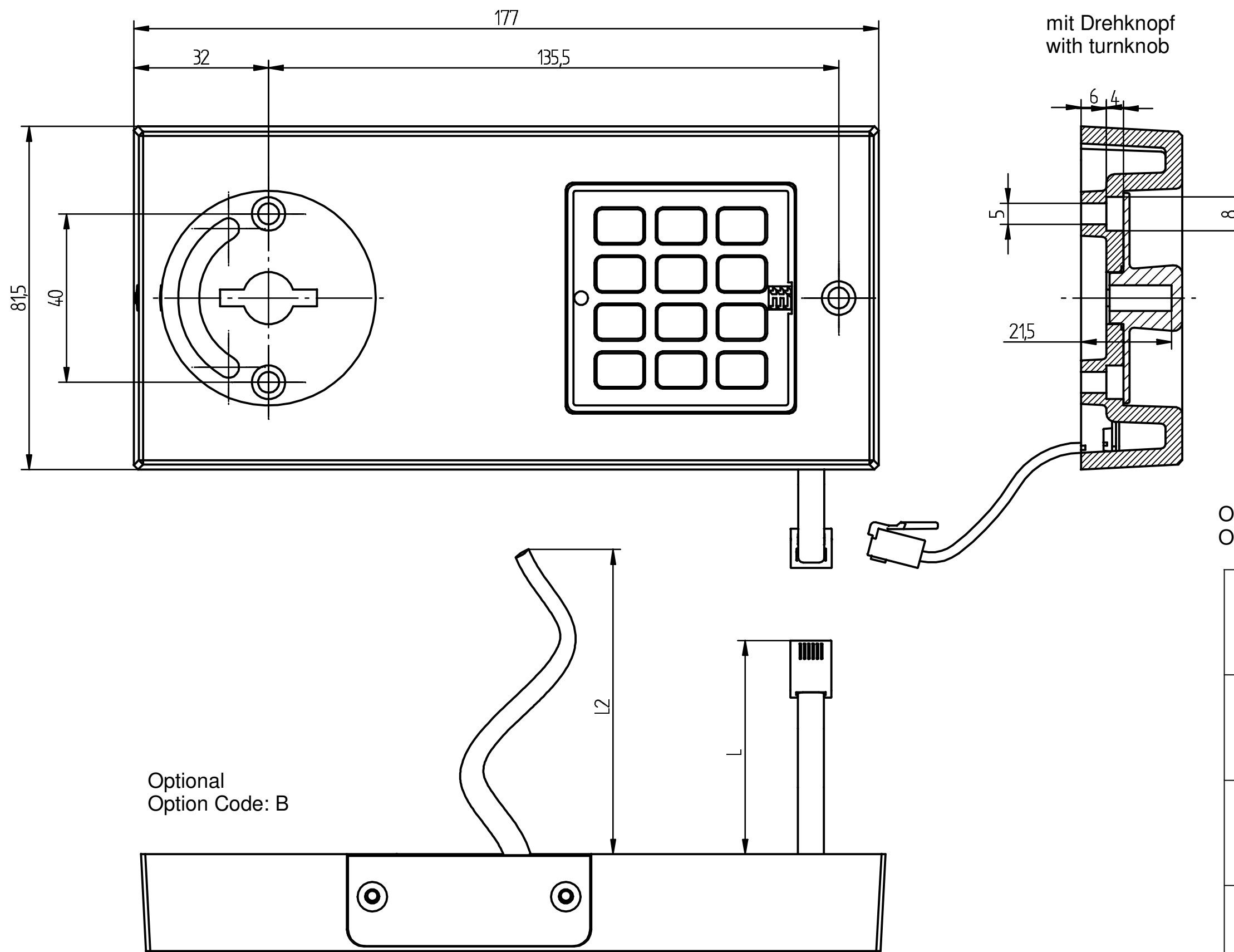


Batteriefach:  
falls Option "B" nicht gewählt  
Battery Case:  
if Option "B" ist not selected



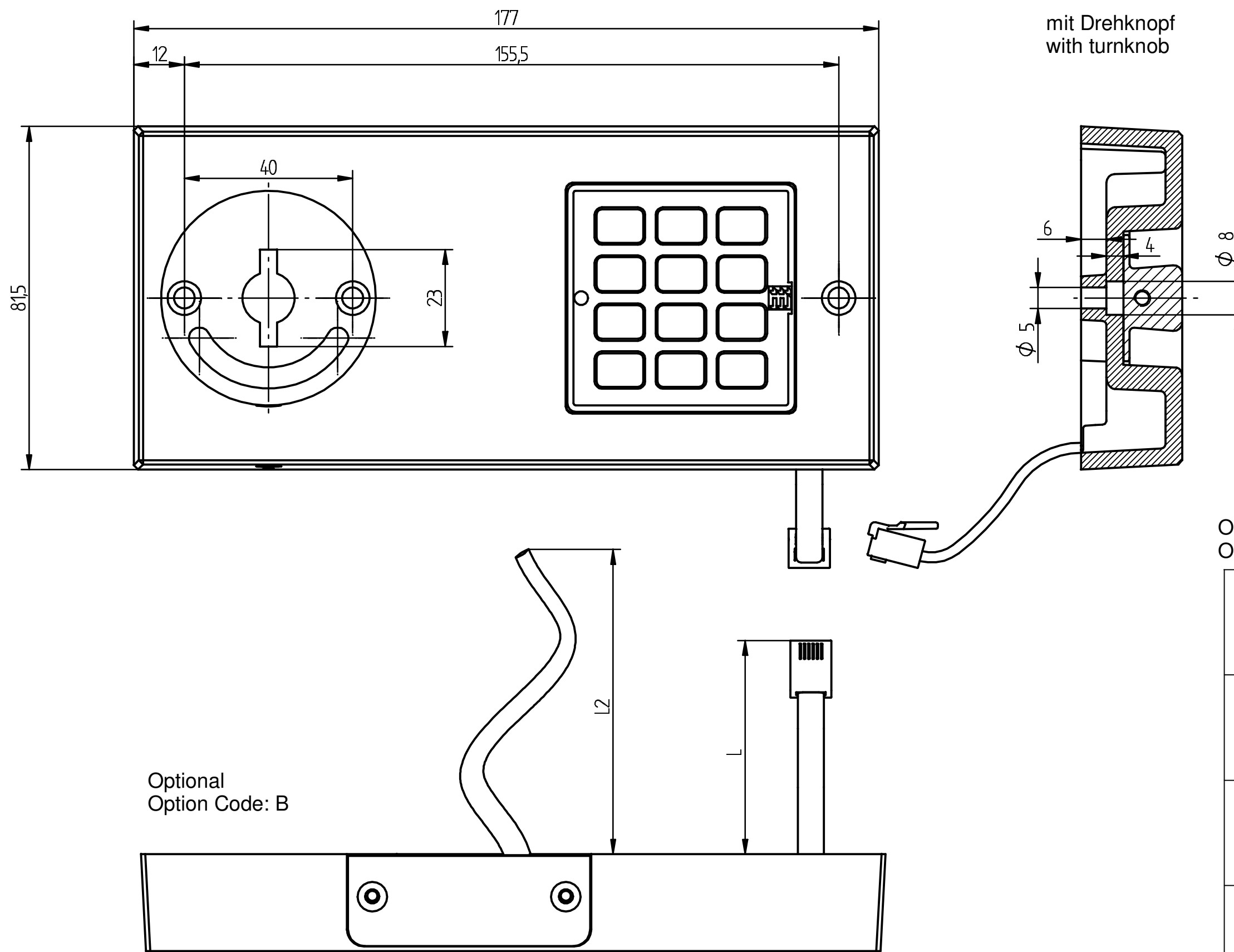




Einbausituation  
Mounting possibilities:

Optionscode  
Option Code:

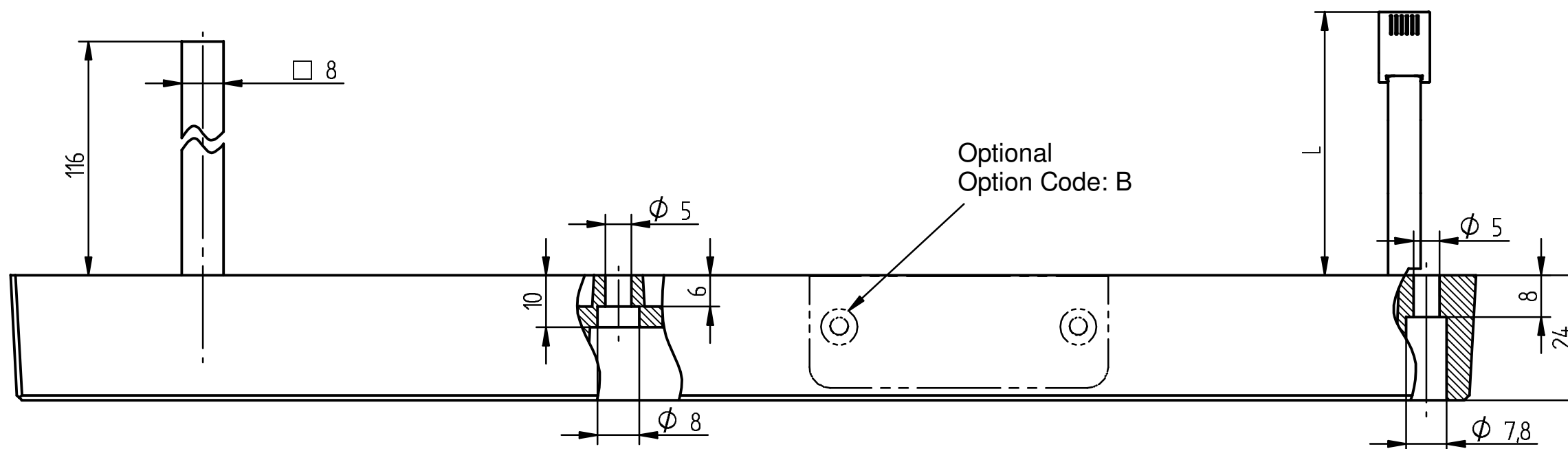
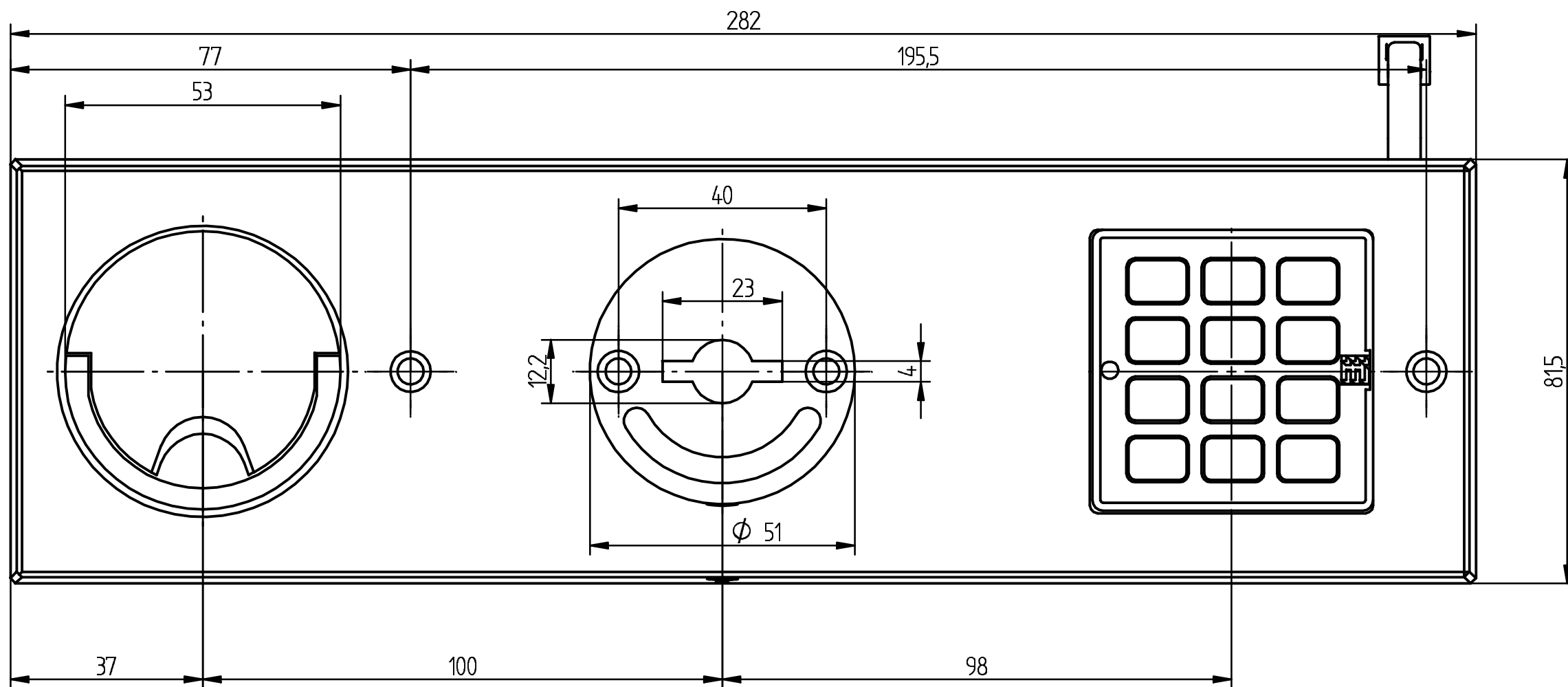
TR		+	-
TL		+	-
TO		-	+
TU		-	+

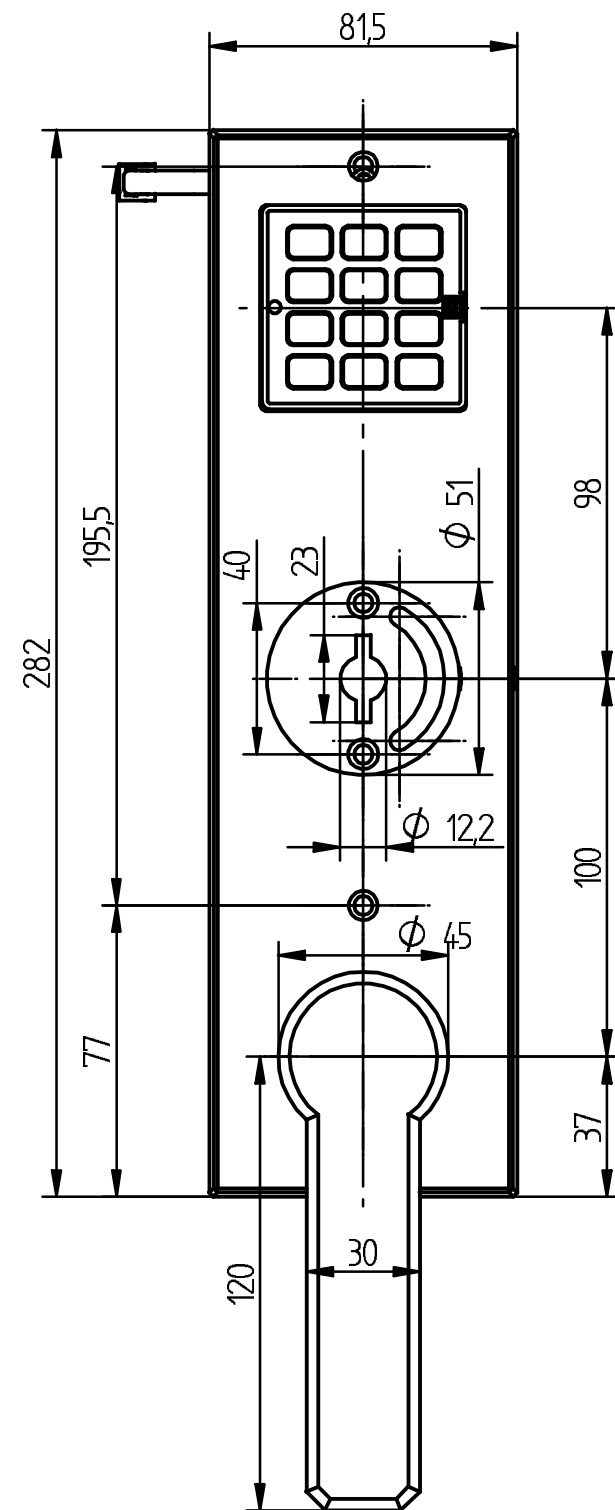


Einbausituation  
Mounting possibilities:

Optionscode  
Option Code

TR		-	+
TL		-	+
TO		+	-
TU		+	-





Optional  
Option Code: B

